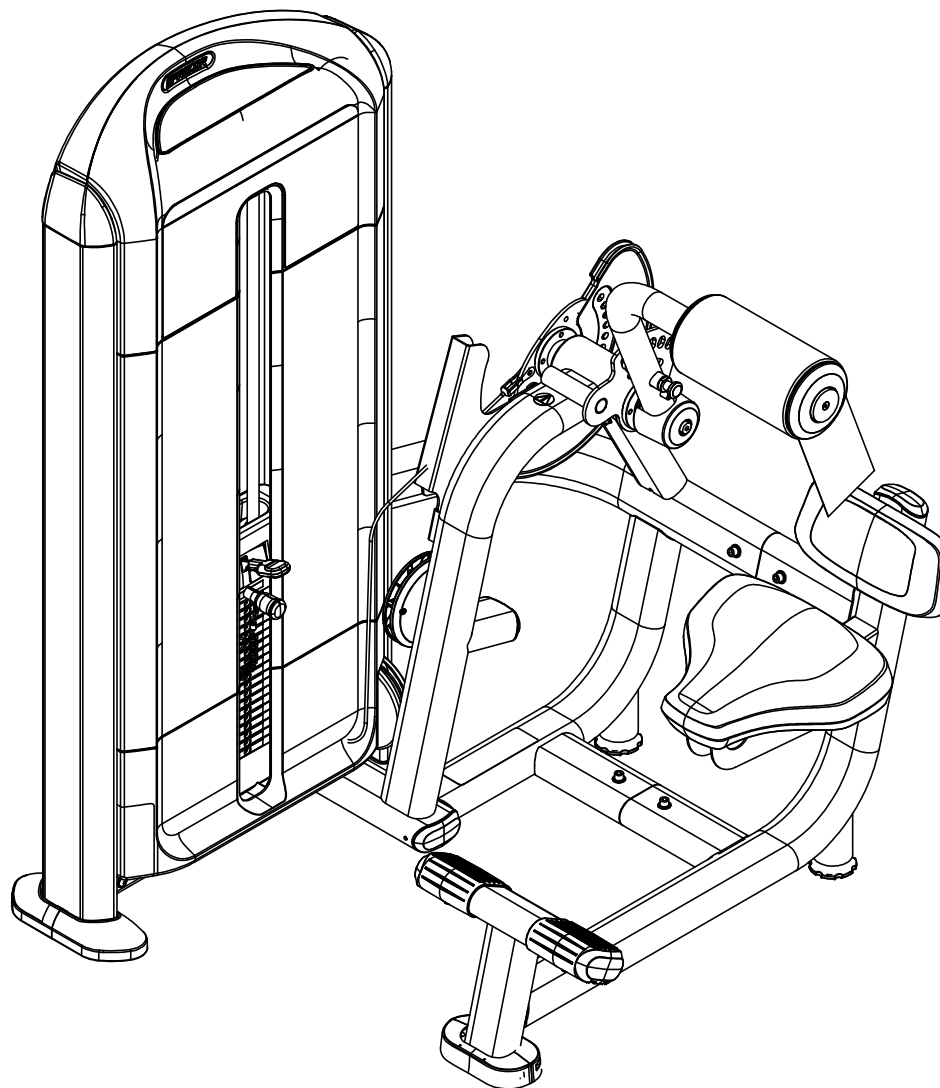


NOTES:

1 THIS LABEL IS FURNISHED AS PART OF A LABEL KIT.
ORDER REPLACEMENT LABEL KITS AS FOLLOWS:

- 201 ENGLISH
- 202 DUTCH
- 203 GERMAN
- 204 SPANISH
- 205 FRENCH
- 206 ITALIAN
- 207 CHINESE
- 208 IB PORT
- 209 BR PORT
- 210 RUSSIAN
- 211 HEBREW
- 212 JAPANESE



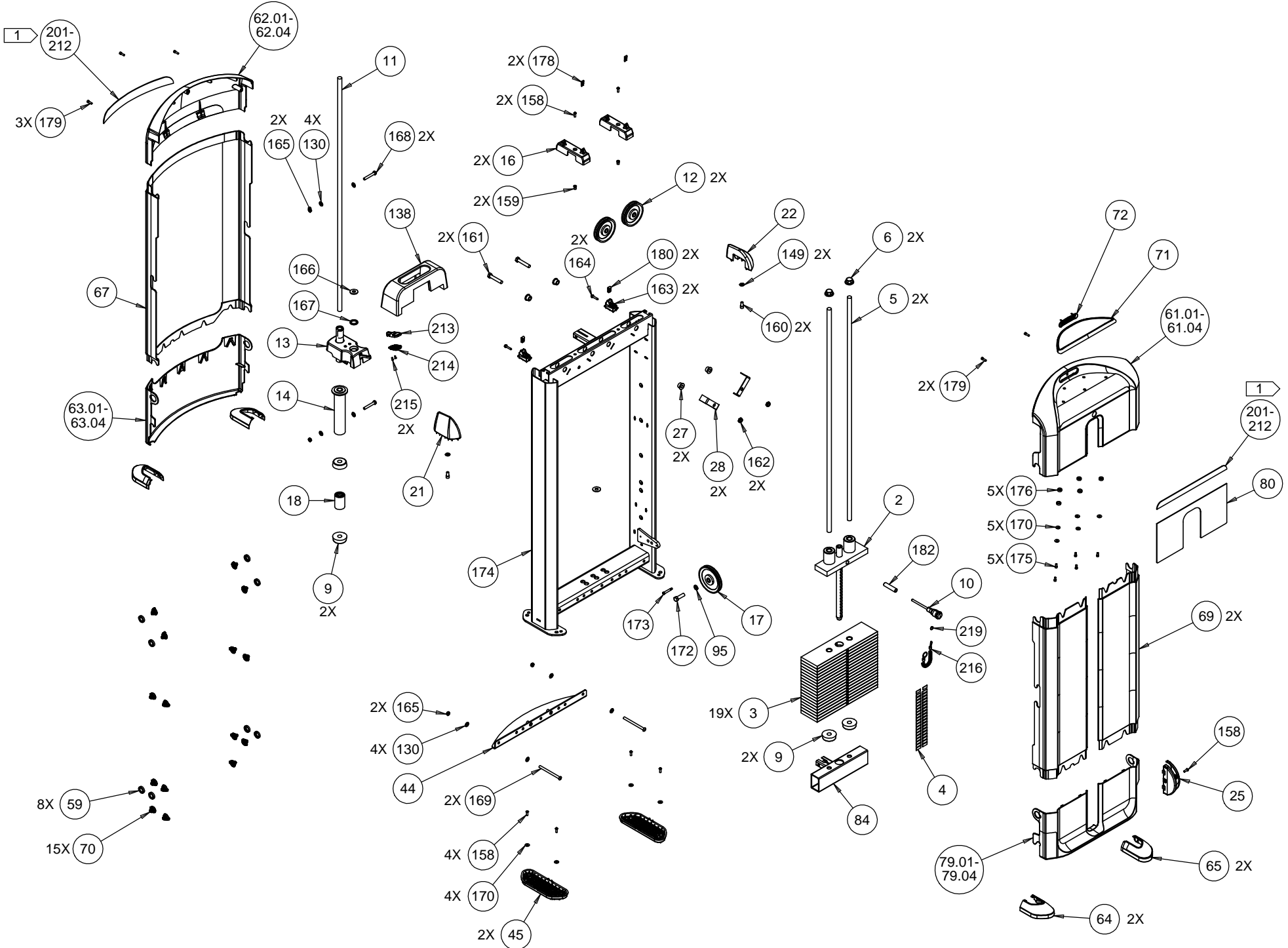
PRODUCT:				DSL313, BACK EXTENSION CORE		PRECOR	
DRWN BY	6/2/14	SEF	SIZE	PAGE	DWG. NO.	SUBREV	
CS	5/30/14	MRH	A	1 OF 4	CW39059-101	D	

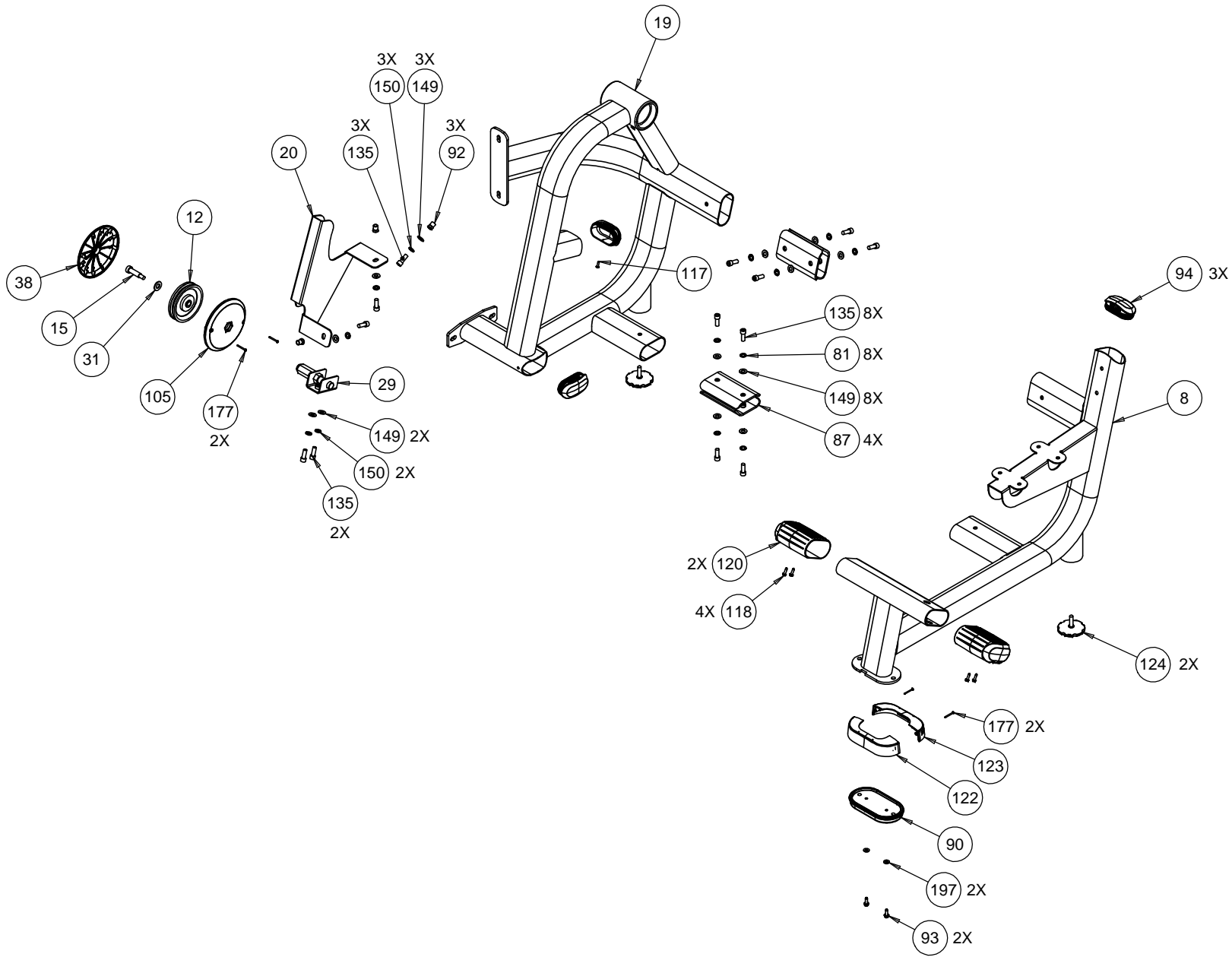
D

C

B

A





D

C

B

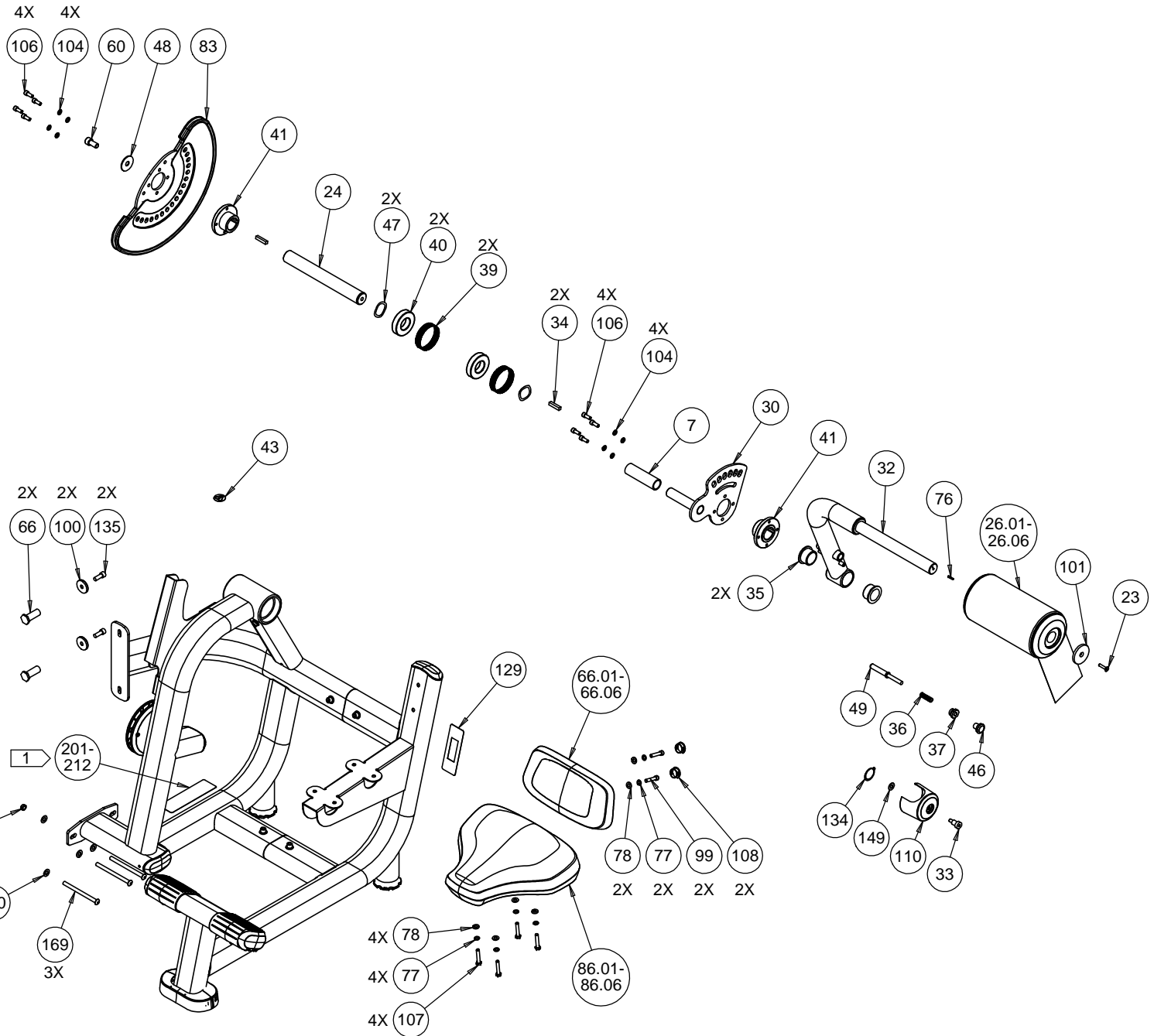
A

4

3

2

1



DSL313 BACK EXTENSION (serial code BA66)

Bubble Number	Part Number	Description
2	CW38025103	ASSY, TOP PLATE, 200LB WT STK, DS
3	CW38037101	ASSY, WT PLATE, 10LB, DS
4	CW38017101	DECAL SET, 10LB WT PLATES, DS
5	CW38041101	GUIDEROD, .75ODX47.63, CRS, DS, CR
6	CW38009101	CAP, END, SANTOPRENE, GUIDE ROD, DS
7	CWGR4604250	GRIP, RUBBER, 1.00" OD HANDLE, 4.25
8	CW34272103	WLDMT, FRAME, BASE, OUTER, BACK EXT
9	CW38013101	BUMPER, 2.5ODX.75IDX.8, WT STK
10	CW38138102	ASSY, SLCTR PIN WITH TETHER, DS
11	CW38020101	GUIDEROD, .75ODX49.75, CRS, CR
12	CWAC1009101	PULLEY, 4 1/2 DIA X 1/2 ID
13	CW38143201	ASSY, AOW SELECTOR, 5 LB COVER, DS
14	CW40346101	ASSY, ADD ON WEIGHT, 5LB, DS
15	CWRANN038150	BOLT, SHOULDER, 3/8-16 X 1/2 X 1 1/
16	CW38051101	MOUNT, FRONT CAP, PLASTIC, DS
17	CW38010101	PULLEY, 5ODX.5ID
18	CW38142101	ASSY, AOW SPACER, 2.53L, DS
19	CW50236101	ASSEMBLY, FRAME, BACK EXTENSION
20	CW34281101	FORMED, PLATE, 10 GA. (.135) THK, GUARD,
21	CW38008101	CAP, END, AL, TRP TWR RIGHT, DS, PC
22	CW38028101	CAP, END, AL, TRP TWR LEFT, DS, PC
24	CW34279103	BAR, 1 7/16 DIA, PIVOT SHAFT, BACK
25	CW38054101	COVER, PULLEY, R VERT/L HORZ, DS TWR
26.01	CWPD4024101	SHORT ROLLER PAD, RENOVO, BLACK
26.02	CWPD4024114	SHORT ROLLER PAD, RENOVO, CUSTOM
26.03	CWPD4024118	SHORT ROLLER PAD, IMP BLUE
26.04	CWPD4024122	SHORT ROLLER PAD, PAPRIKA
26.05	CWPD4024131	SHORT ROLLER PAD, MAHOGANY
27	CW38040102	SPACER, FLANGED, .86ODX.51IDX.5, CZ
28	CW38136101	BRKT, CABLE ANTIJUMP, DS, PC
29	CW34267104	WLDMT, PULLEY MOUNT
30	CW34894101	ASSY, CAM STOP, DSBE
31	CWWBCN050010	WASHER, FLAT, TYPE A, NARROW, 1/2 I
32	CW38312101	ASSY, ARM, DSBE
32	CW40556101	WLDMT, ARM, DSBE, PC
33	CWRANN031050	BOLT, SHOULDER, 5/16-18 X 1/2
34	CW10220101	KEY, SQUARE, 5/16 X 1-1/2
35	CW10043139	BUSHING, FLANGED, BRONZE, 1.628OD X
36	CW10231139	SPRING, COMP, .475 OD X .150 L X .03
37	CW33969101	BAR, RND, 1.00 DIA, RETAINER, POP PIN

38	CW33997107	4.5" PULLEY COVER, HEX MOUNT, FRONT
39	CW49209103	BEARING TOLERANCE RING, AN-72X17-S9
40	CW10158102	BEARING, BALL, 6207, 72MM OD X 35MM
41	CW33754101	BAR, 3.50 DIA. X 1.50
43	CW34758102	LABEL,PINCH POINT WARNING, RENOVO,
44	CW38043101	ASSY,TWR KICKPLATE,DS,WITH RIV NUTS
45	CW38012101	PAD,FOOT,SANTO OVRMLD,DS TWR
46	CW33971101	KNOB, DROP DOWN WEIGHT
47	CWWAHNN140002	1WASHER,WAVE, 1.40 ID, 1.82 OD, .02
48	CWWABCN050010	WASHER, FENDER, 1/2 ID X 1 3/4 OD,
49	CW34140101	BAR, RND, .625 OD, POP PIN
56	CW40556101	WLDMT,ARM,DSBE,PC
59	CW38055101	ADPTR,RING,COVER SPACER,PLASTIC,DS
60	CWCACN050100	SCREW,SHC,1/2-13X1.00,CZ
64	CW38154201	COVER,FOOT,PLASTIC,FRONT,DS
65	CW38154202	COVER,FOOT,PLASTIC,BACK,DS
66.01	CWPD4030101	LOWER BACK PAD, W/ BP, RENOVO, BLAC
66.02	CWPD4030114	LOWER BACK PAD, W/ BP, RENOVO, CUST
66.03	CWPD4030118	LOWER BACK PAD, W/ BP, RENOVO, IMP
66.04	CWPD4030122	LOWER BACK PAD, W/ BP, RENOVO, PAPR
66.05	CWPD4030131	LOWER BACK PAD, W/ BP, RENOVO, MAHO
70	CW38006101	MOUNT,TWR COVERS,PLASTIC,DS
71	CW38341102	TRAY, TOP FRONT COVER, TOWER, DS
72	CW38204102	LABEL,PRECOR,AL,FOIL LOGO
77	CWWALCN031008	WASHER, SPLIT, 5/16 ID, ZN
78	CWWBCN031007	WASHER, FLAT, TYPE A, SAE, 5/16 ID
80	CW35320103	PLACARD, INSTR, DSBE
81	CWWATCN038032	WASHER, LK, INT. TOOTH, .375
83	CW33932101	CAM, MOLDED PULLEY
84	CW38044101	WLDMT,WT STK SPACER,3IN,DS,PC
86.01	CWPD4003101	SEAT PAD, RENOVO, BLACK
86.02	CWPD4003114	SEAT PAD, RENOVO, CUSTOM
86.03	CWPD4003118	SEAT PAD, RENOVO,IMP BLUE
86.04	CWPD4003122	SEAT PAD, RENOVO, PAPRIKA
86.05	CWPD4003131	SEAT PAD, RENOVO, MAHOGANY
87	CW33880101	FORMED,PLATE, .19 THICK,DOUBLE-D CO
88.01	CWPD4045101	SHORT ROLLER PAD,1.5" ID,DS, BLK
90	CW33972102	PLASTIC FOOT,SEAT FRAME,TPE,DS
92	CW12112103	RIVNUT,INSERT, HEX, 3/8-16, .685 LO
93	CWPLCN025075	SLOTTED, HEX, WASHER, HEAD, 1/4-20
94	CW33996101	DOUBLE D TUBE END CAP

95	CWWALCN050013	WASHER, SPLIT, 1/2 ID, CLR ZINC
99	CWCACN031150	SCREW,SHC,5/16-18 X1.50,CZ
100	CW38137101	WASHER,DOMED FINISH,1.5OD,AL,DS
104	CWWALYN031008	WASHER, SPLIT, 5/16 ID, BL
105	CW33997110	4.5" PULLEY COVER, HEX MOUNT, BACK
106	CWCAKN031075	SCREW,SHC,5/16-18X.75,BZ
107	CWHCCN031175	SCREW, HEX, GR 5, 5/16-18 X 1 3/4 C
108	CW11095109	CAP, PLASTIC, HEYCO, DOME PLUG, 1.0
110	CW33998101	MAIN PIVOT COVER, BICEP/TRICEP
115	CW11095110	CAP, PLASTIC, HEYCO, DOME PLUG, .5"
117	CWPMTN016063	SCREW, SELF TAPPING,#8 X 5/8 PHIL,
118	CWPHTN019075	SCREW, S/T,#10 X 3/4, WASHER HEX HE
120	CW34062101	FOOT ASSIST COVER
121	CWCLER123125	ASSY,CABLE,STK-CLV,123.125,DSBE
122	CW34061103	FOOT COVER FRONT, 15 DEGREES SHORT
123	CW34061104	FOOT COVER BACK, 15 DEGREES SHORT
124	CW39916103	FOOT, ADJUSTING, NO LOGO
129	CW35415101	LABEL,REGULATORY,DS
130	CWWBTN038007	WASHER, FLAT, TYPE A, SAE, 3/8 ID
134	CWAACN138003	RETAINING RING, EXTERNAL 1.375 DIA
135	CWCACN038100	SCREW,SHC,3/8-16 X1.00,CZ
138	CW38164101	CNTRWT,WT STK,25LB,DS,PC
149	CWWBCN038007	WASHER, FLAT, TYPE A, 3/8 ID X 13/1
150	CWWALCN038009	WASHER, SPLIT, 3/8 ID, CLR ZINC
158	CWTATN025075	SCREW, BUTTON HEAD, SHARPERIZED BLK
159	CW12112101	RIVNUT,INSERT,HEX,1/4-20
160	CWCAYN038075	SCREW, SOCKET HEAD, BLK XYLAN, 3/8
161	CWHCCN050275	SCREW, HEX HEAD, ZN, 1/2-13 X 2.75
162	CWKACN050031	LOCKNUT,HALF, 1/2-13, ZN
163	CW38052101	MOUNT,REAR CAP,PLASTIC,DS
164	CWPLCN025125	SCREW,ST,SLT HEX WSHR,1/4-20X1.25,C
165	CWKAYN038027	LOCKNUT, NYLON INSERT, HALF, UNC,
166	CWWCKN050011	WASHER,A,WIDE,1/2ID,BZ
167	CW38141101	WASHER,COMP,1.38ODX1IDX.15,TPE
168	CWHCYN038250	BOLT,HH5,3/8-16X2.50,BLK XYLAN
169	CWTAKN038500	SCREW,BHC,3/8-16X5.00,BZ
170	CWWAACN025006	WASHER, FLAT, TYPE B, 1/4 ID X .734
172	CWHFWN050175	BOLT,HH8,1/2-20X1.75,YZ
173	CWRANN025150	BOLT, SHOULDER, 1/4-20 X 5/16 X 1 1
174	CW58019101	CS KIT, ASSY, WLDMT, TWR, R POS DRI
175	CWCACN025050	SCREW,SHC,1/4-20X.50,CZ

176	CW38346101	SPACER,TUBE,TWR TOP CAP,DS
177	CWPMTN016125	SCREW, SELF TAPPING,#8 X 1 1/4 PHIL
182	CW38015101	PIN,ROLL,16.5MMODX70MM,STEEL
183	CW40013101	ASSY,HANDLE RETAINING RING,1.54ID
186	CWAACN150005	RETAINING RING, EXTERNAL 1.500 DIA
187	CWPD4016OP102	OUTER PLASTIC COVER, ROLLER PAD
188	CWPD4016IP102	INNER PLASTIC COVER, ROLLER PAD
189	CWPD4016DP102	PLASTIC SPACER,1.50" ID,ROLLER PAD,
197	CWWBCN025007	WASHER, FLAT, TYPE A, SAE, 1/4 ID X
201	CW38408102	KIT,MACHINE DECALS,ENGLISH,DSBE
202	CW38409102	KIT,MACHINE DECALS,DUTCH,DSBE
203	CW38410102	KIT,MACHINE DECALS,GERMAN,DSBE
204	CW38411103	KIT,MACHINE DECALS,SPANISH,DSBE
205	CW38412102	KIT,MACHINE DECALS,FRENCH,DSBE
206	CW38413102	KIT,MACHINE DECALS,JAPANESE,DSBE
207	CW38414102	KIT,MACHINE DECALS,ITALIAN,DSBE
208	CW38415102	KIT,MACHINE DECALS,CHINESE,DSBE
209	CW38416102	KIT,MACHINE DECALS,BR PORT,DSBE
210	CW38417102	KIT,MACHINE DECALS,IB PORT,DSBE
211	CW38418102	KIT,MACHINE DECALS,RUSSIAN,DSBE
212	CW38419102	KIT,MACHINE DECALS,HEBREW,DSBE
213	CW38134103	HANDLE,AOW SELECT,TOP,OVRMLD,DS
214	CW38134104	HANDLE,AOW SELECT,BOTTOM,OVRMLD,DS
215	CWTEKN004010	SCREW,BHC, M4X0.7X10L,BZ
216	CW38132101	TETHER,SLCTR PIN,11.4MMODX100L,DS
217	CW58084101	CS KIT, WRAP, FRONT COVER (RIGHT OR LEFT
218	CW58085101	CS KIT, WRAP, REAR COVER
219	CW38334102	RING,SPLIT,0.59ODX0.50IDX.09T,CZ
220	CW58097101	CS KIT, CAM HUB BOLT, DSL, C-LINE
258	CW50298101	CS KIT, ASSY, ROLLER PAD WELDMENT,
999	CW38344102	LIT KIT,GENERIC,DS WITH WARRANTY